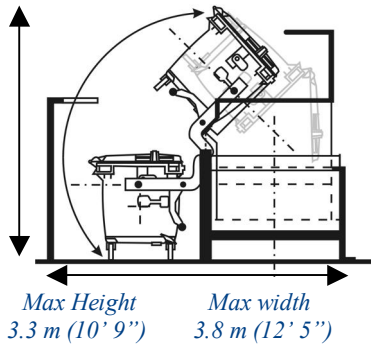


Large Static Compactor



This powerful static compactor is fitted with a side loading hydraulic mechanism to lift and tip the Grundon Waste Wheeler containers. As the container is lifting, the interlinked compactor starts its compaction cycle pushing and compacting the waste into the 27 m³ container. When full the container is simply detached by our driver and exchanged for an empty unit.

The main advantages of compaction are as follows:

- Easy loading.
- Wind scatter eliminated.
- Safety interlocking gates for maximum operator safety.
- Vermin unable to get access to rubbish.
- Fire hazard minimised.
- Increased payloads, reducing number of vehicle visits.
- Can be provided for 'off dock loading' either by hand or mechanically.

Specification

| Overall Length | Overall Width with Loader | Overall Height (Tipping WW) | Vehicle Loading Height |
|---|---------------------------|-----------------------------|------------------------|
| 34'5" (10.50 m) | 12'5" (3.80 m) | 10'9" (3.30 m) | 17'5" (5.30 m) |
| Volume | Mains Fuse | 3 Phase Power Supply | |
| 35 yd ³ (27 m ³) | 30/45 amp | 415 v | |

All measurements are approximate and may vary according to the make and model of equipment installed.



www.grundon.com

Oxford: Goulds Grove, Ewelme, Wallingford, OX10 6PJ. Tel: 01491 834311 Fax: 01491 832272

Slough: Lakeside Road, Colnbrook, Slough, SL3 0EG. Tel: 01753 686777 Fax: 01753 686002

Reading: Grange Lane, Beenham, RG7 5PY. Tel: 0118 9712012 Fax: 0118 9713974

Cheltenham: Wingmoor Farm, Stoke Orchard Road, Bishops Cleeve, GL52 7DG.

Tel: 01242 676011 Fax: 01242 676927

Banbury: Merton Street, Banbury, OX16 4RN. Tel: 01295 253611 Fax: 01295 257544